

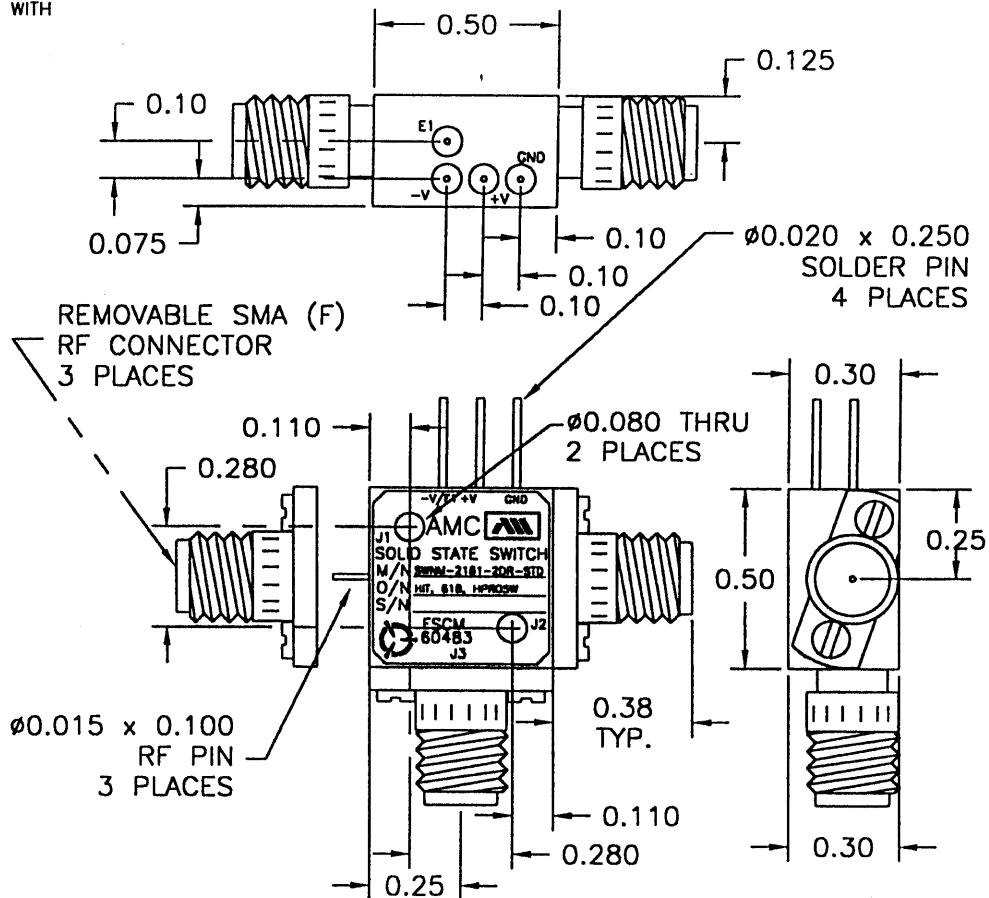
DESCRIPTION:

AMC MODEL SWNM-2181-2DR-STANDARD OPTION HIT, 618, HPRO5W IS A MINIATURE SINGLE POLE DOUBLE THROW, ABSORPTIVE/NON-REFLECTIVE SWITCH MODULE WITH LOW INSERTION LOSS, HIGH ISOLATION, INTEGRAL TTL DRIVER AND POWER HANDLING OF 0.5 WATT CW OVER THE 6.0 TO 18 GHz BAND WITH SINGLE CONTROL.

REVISIONS				
ZONE	REV.	DESCRIPTION	DATE	APPROVED
		ORIGINAL RELEASE	9/21/99	JMS

SPECIFICATIONS:

- FREQUENCY: 6.0 GHz TO 18 GHz
- INSERTION LOSS: 2.0 dB MAXIMUM
- ISOLATION: 60 dB MINIMUM
- VSWR: 2.0:1 MAXIMUM
- SWITCHING SPEED: 30 nSEC MAXIMUM
- POWER HANDLING: 0.5 WATT MINIMUM
- TEMPERATURE: -54°C TO +100°C
- CONTROL: TTL LOGIC WITH SINGLE CONTROL
 LOGIC "0" = PORT J3 TO J1 IS ON
 LOGIC "1" = PORT J3 TO J2 IS ON
- POWER SUPPLY: +5V @ 75 mA MAXIMUM
 -15V OR -12V @ 50mA MAXIMUM
- RF CONNECTORS REMOVABLE SMA FEMALE
- SIZE: 0.5" (L) x 0.5" (W) x 0.3" (H)
- WEIGHT: 0.4 OUNCE TYPICAL



STANDARD UNIT HAS SINGLE CONTROL TTL LOGIC (1 CONTROL PIN)
 LOGIC "0" = PORT J3 TO J1 IS ON
 LOGIC "1" = PORT J3 TO J2 IS ON

M/N = MODEL NUMBER
 O/N = OPTION NUMBER
 S/N = SERIAL NUMBER

OPTION IND HAS INDEPENDANT CONTROL TTL LOGIC (2 CONTROL PINS)
 LOGIC "0" = INSERTION LOSS
 LOGIC "1" = ISOLATION


ENVIRONMENTAL RATINGS:

- TEMPERATURE: -54°C TO +100°C (OPERATING)
 -65°C TO +125°C (STORAGE)
- HUMIDITY: MIL-STD-202F, METHOD 103B COND. B
- SHOCK: MIL-STD-202F, METHOD 213B COND. B
- VIBRATION: MIL-STD-202F, METHOD 204D COND. B
- ALTITUDE: MIL-STD-202F, METHOD 105C COND. B
- TEMPERATURE CYCLE: MIL-STD-202F, METHOD 107D COND. A

ALL DIMENSIONS ARE IN INCHES
 TOLERANCES:

X.XX ±0.020
 X.XXX ±0.010

NOTE: THE ABOVE SPECIFICATIONS ARE SUBJECT TO CHANGE OR REVISION

APPROVALS		DATE	 AMERICAN MICROWAVE CORPORATION FREDERICK, MARYLAND	
DRAWN	WJP	9/21/99	TITLE OUTLINE DRAWING SWNM-2181-2DR-STANDARD OPTION HIT, 618, HPRO5W	
CHECKED	LA	9/21/99	SIZE	REV.
ISSUED			A	
			FSCM NO. 60483	DWG NO. 100-5069-1
			SCALE N/S	SHEET 1 of 1